

N 3/4 C CD

1901 Tap Range 1901 Bath Taps with Ceramic Disc Valves Chrome



Features:

- Long life and easy to use 1/4 turn ceramic disc valves
- Metal handles
- Metal back nuts for added durability
- Chrome plated to BS EN 248

Product Certifications:

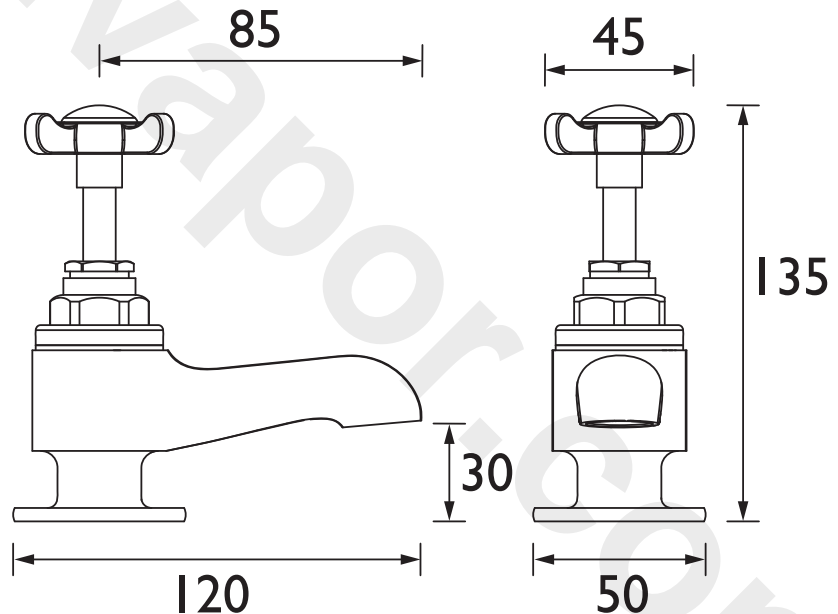
For more products, visit our website:
<http://www.bristan.com>



Specification

Product Type:	Bathroom Taps
Main Construction Material:	Brass
Mount Type:	Deck
Handle Type:	Crosshead
Connection Inlet:	3/4" BSP
Connection Outlet:	Open
Number of Tap Holes:	2
Valve/Cartridge Type:	3/4" Ceramic Disc Valve - 1/4 turn
Plumbing System Requirements:	Suitable for all plumbing systems
Minimum Dynamic Pressure (bar):	0.2 bar
Maximum Dynamic Pressure (bar):	5 bar
Maximum Hot Water Temperature °C:	65°C
Maximum Static Pressure (bar):	10 bar
Isolation Included:	No

Dimensions (measurements in mm)



Flow Rates (l/min)

System Pressure (bar)	0.2	0.5	1	2	3	5
N 3/4 C CD (Cold)	15.5	20.1	28.4	40.2	49.2	63.6
N 3/4 C CD (Hot)	12.3	19.5	27.6	39	47.8	61.7

TECHNICAL DATA SHEET



BRISTAN

D4